



NATIONAL STANDARDS COMMISSION

CERTIFICATE OF APPROVAL No 6/10B/101

Approved: Avery Railway Weighbridge

This is to certify that the pattern and variants of the abovementioned instrument have been approved under the Weights and Measures (Patterns of Instruments) Regulations as being suitable for use for trade when converted to read in metric units in accordance with Appendix 8 of the General Specifications for Measuring Instruments to be Used for Trade.

Date of Approval: 19 February 1974

Description of Pattern:

The pattern and variants may be identified by reference to the following approval numbers:

Victoria	Approval Nos 87, 163
Western Australia		...	Approval No 165

Drawings of a typical instrument are shown in Figure 1.

Conditions of Approval:

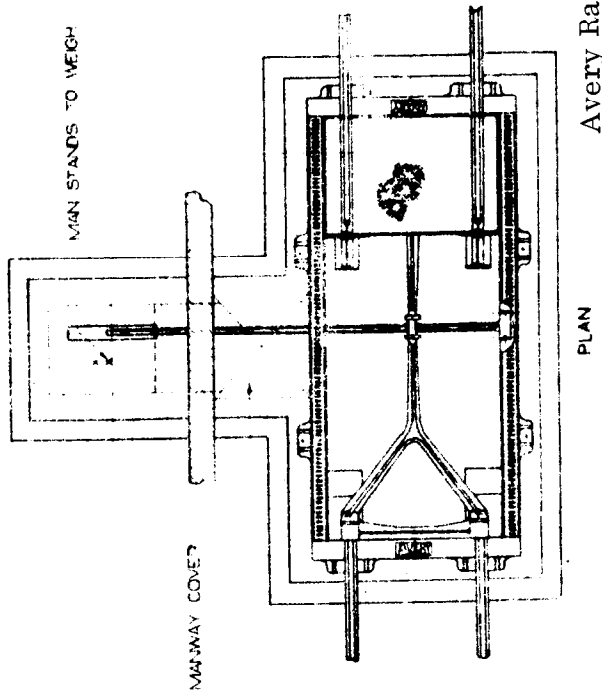
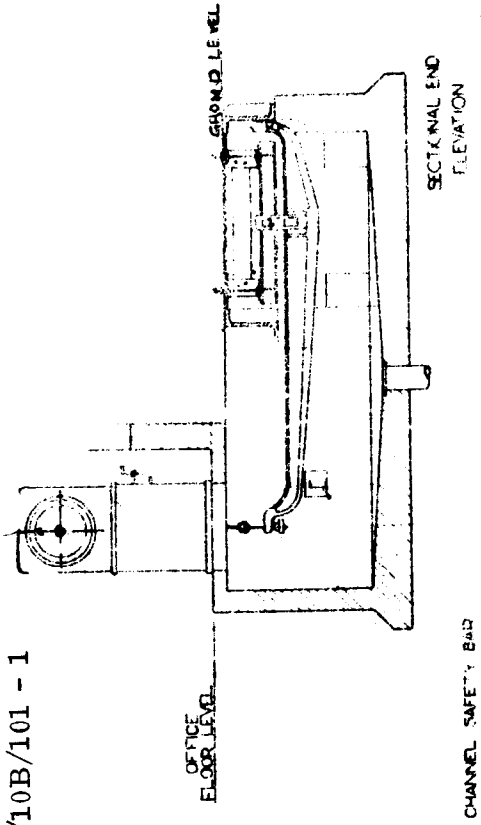
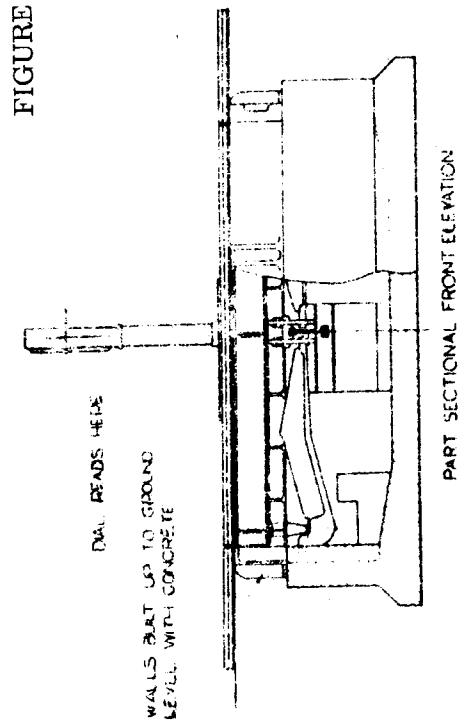
1. This approval is subject to review on or after 31 December 1975 to determine the extent to which the pattern may need to be modified to comply with the Commission's pattern approval requirements at the date of review.
2. All instruments conforming to variants in accordance with this approval shall be marked "NSC No 6/10B/101".

Signed

A person authorised by the Commission
to sign Certificates under the
abovementioned Regulations.

22/3/74

FIGURE 6/10B/101 - 1



Avery Railway Weighbridge