

Correspondence: Executive Officer  
P.O. Box 282 NORTH RYDE  
N.S.W. 2113  
Telegrams: NATSTANCOM SYDNEY  
Telephone: 888 3922

CERTIFICATE OF APPROVAL No 8/30

This is to certify that the patterns of the

Anderson Farm Milk Tank TGI

submitted by Anderson Equipment Co-operative Ltd,  
117 Wetherill Street,  
Lidcombe, New South Wales, 2141,

ve been approved under the Weights and Measures (Patterns of Instruments)  
Regulations as being suitable for use for trade.

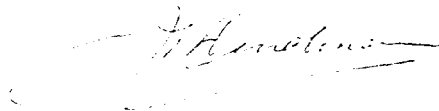
Dates of Approval: 15 July 1975 and 28 August 1978

The patterns are described in Technical Schedule No 8/30 and in drawings  
and specifications lodged with the Commission.

The approval is subject to review on or after 15 August 1980.

All instruments conforming to this approval shall be marked with the  
approval number "NSC No 8/30".

Signed



Assistant Executive Officer



# NATIONAL STANDARDS COMMISSION

## TECHNICAL SCHEDULE No 8/30

Pattern: Anderson Farm Milk Tank Model TGI

Submitter: Anderson Equipment Co-operative Ltd,  
117 Wetherill Street,  
Lidcombe, New South Wales, 2141.

Dates of Approval: 15 July 1975 and 28 August 1978

All instruments conforming to this approval shall be marked "NSC No 8/30".

### Description:

The pattern is a refrigerated farm milk tank of capacity up to 15 000 litres (see Figures 1 to 4).

It consists of a nearly horizontal stainless steel cylinder of circular cross-section with conical ends, sheathed in an outer casing of mild and/or stainless steel with the cavity between filled with insulating material. The tank slopes toward the outlet which is fitted with an external drain valve. An access door is located on the end of the tank.

The maximum dimensions of the tank are cylinder length 4200 mm, diameter 2200 mm and conical end depth 300 mm.

The tank is supported on four legs spaced not more than 2500 mm apart, which after setting the tank level are sealed to prevent adjustment (see Figures 5 and 6).

A dipstick is located on the centre line of the tank near the outlet end. The significant dimensions of the dipstick sockets and dipstick are shown in Figure 7. When the tank is level the four level marks indented into each end of the tank sides at about half capacity are in the same plane as the level mark on the rear of the dipstick.

Air or mechanical agitation may be provided.

A ladder is provided for access to the dipstick and to the top of the tank.

7/12/78

.../2

---

The approval includes:

1. The tank unrefrigerated.
2. The access door located on the top of the tank near the dipstick.
3. A dipstick socket near each end of the tank, and the single dipstick used to check the longitudinal level. A transverse level indicator is fitted. The tank legs are adjustable.\* Adjacent to each dipstick socket is the following notice:

"level condition of the tank to be adjusted if dipstick readings from both sockets vary by more than 1 mm or if the level indicator shows a sideways tilt (see Figure 8)."

---

\* Note: This variation only applies to farm milk tanks which are able to be tilted to test the sensitivity of the level indicators.

7/12/78



# NATIONAL STANDARDS COMMISSION

8/30  
20/11/86

## CANCELLATION CERTIFICATE OF APPROVAL No 8/30

This is to certify that the approval for use for trade granted in respect of the pattern and variants of the

Anderson Farm Milk Tank Model TGI

submitted by Anderson Equipment Co-operative Ltd  
Wetherill and Egerton Streets  
Lidcombe NSW 2141

has been cancelled in respect of new instruments as from 31 October 1986.

Instruments which were verified before that date may, with the concurrence of the relevant verifying authority, be submitted for reverification.

Signed

Executive Director

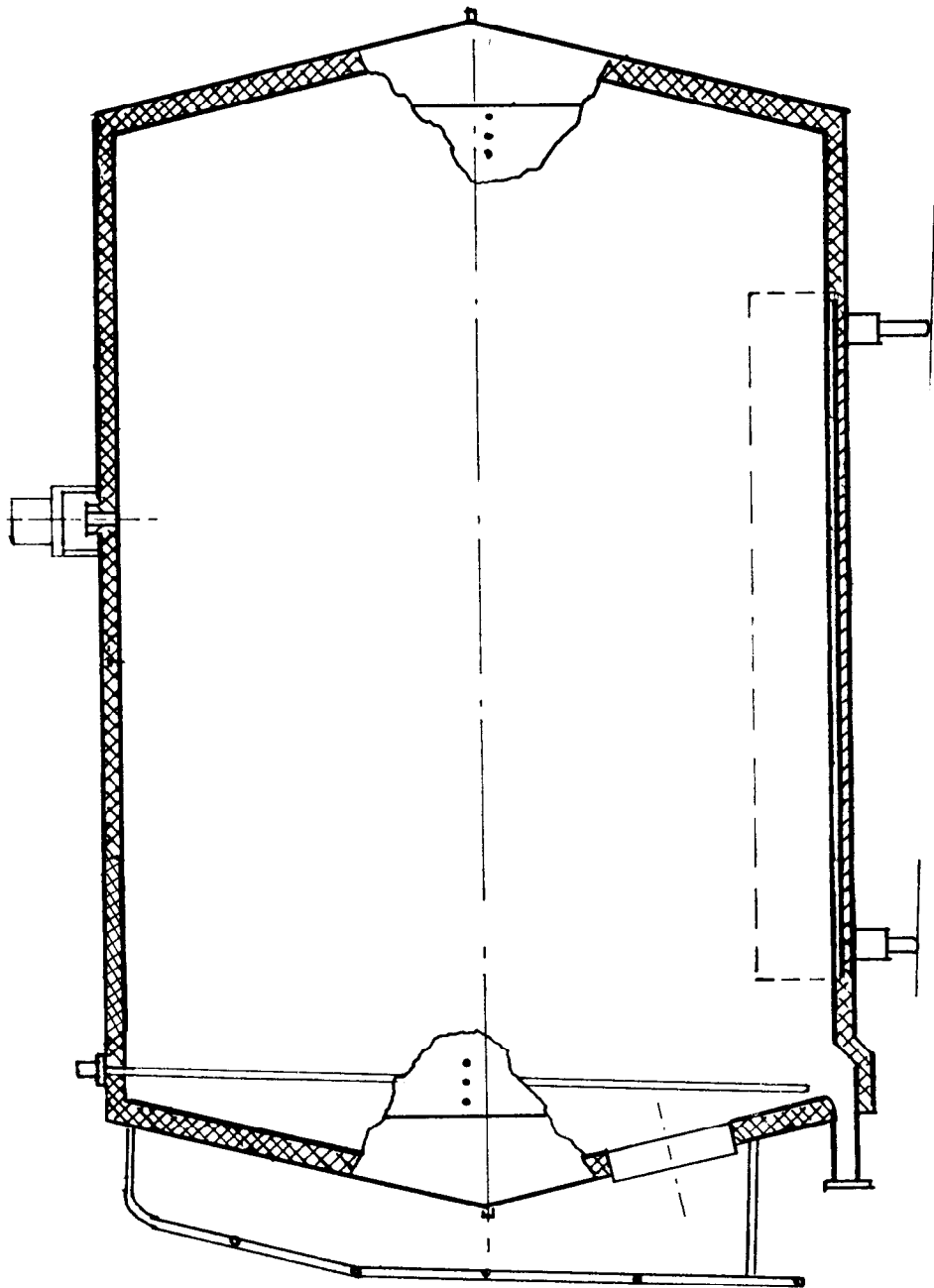
FIGURE 8/30 - 1



Anderson Farm Milk Tank TCI

7/12/78

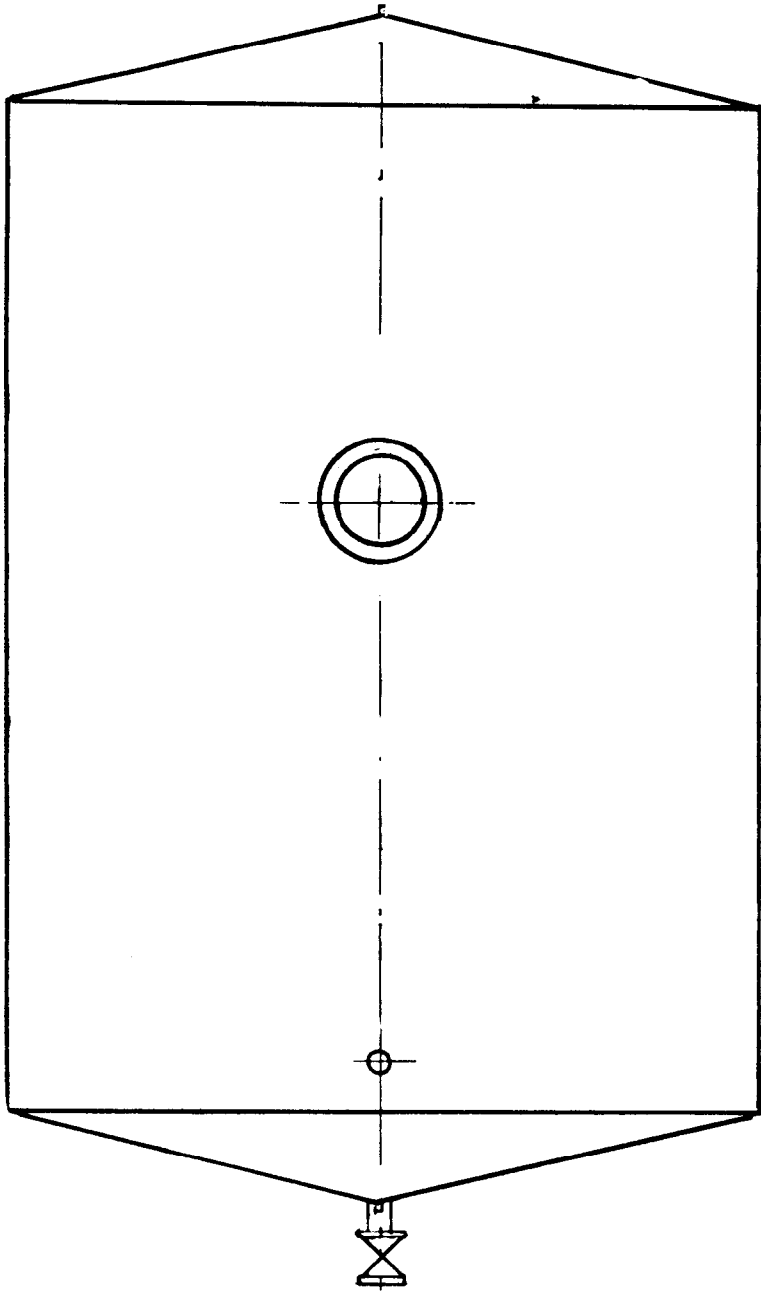
FIGURE 8/30 - 2



Anderson TGI — Longitudinal Elevation — Schematic Diagram

7/12/78

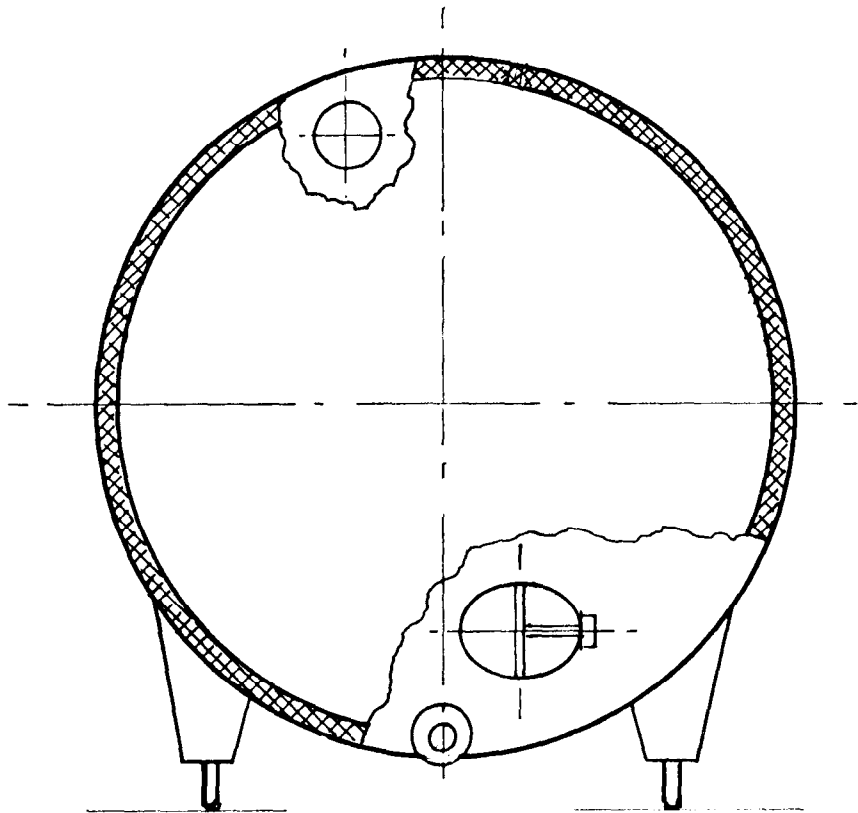
FIGURE 8/30 - 3



Anderson TGI — Plan View

7/12/78

FIGURE 8/30 - 4



Anderson TGI — Cross-section — Schematic Diagram

7/12/78



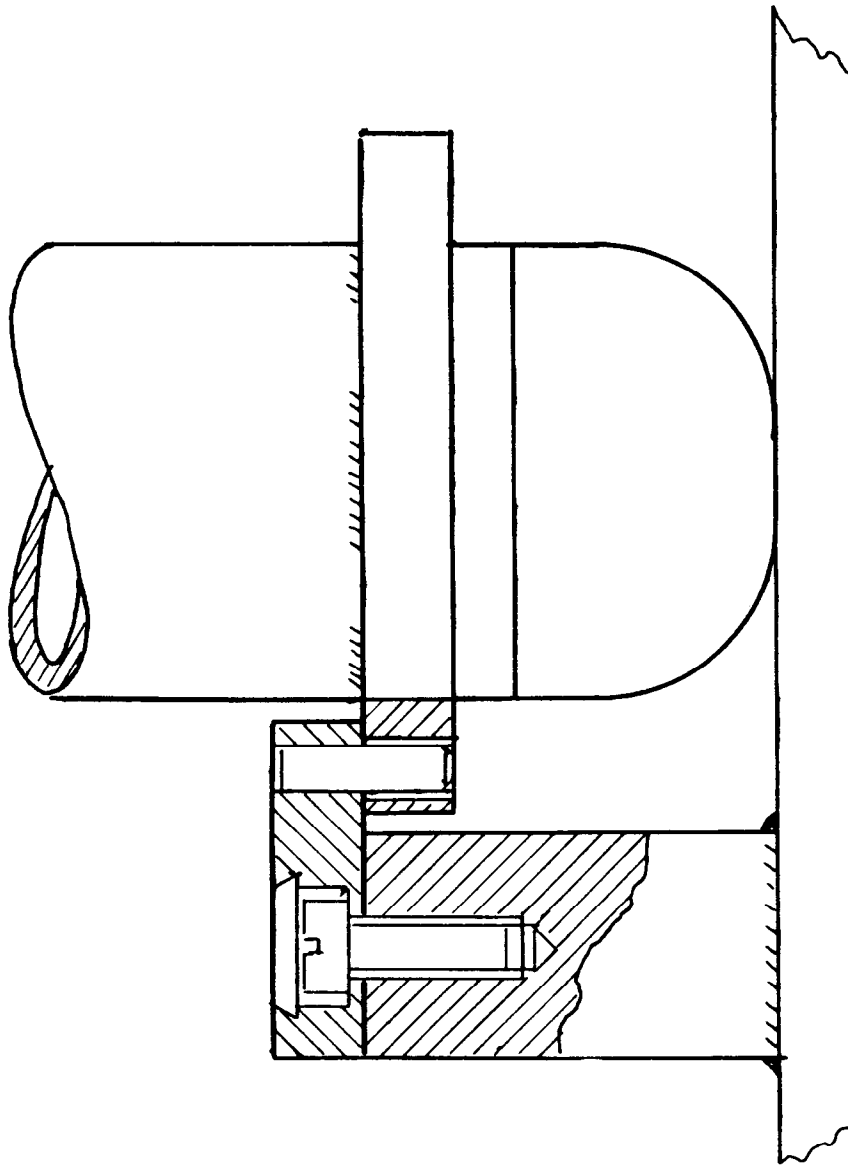
FIGURE 8/30 - 5



Anderson TGI — Sealing of Tank Legs

7/12/78

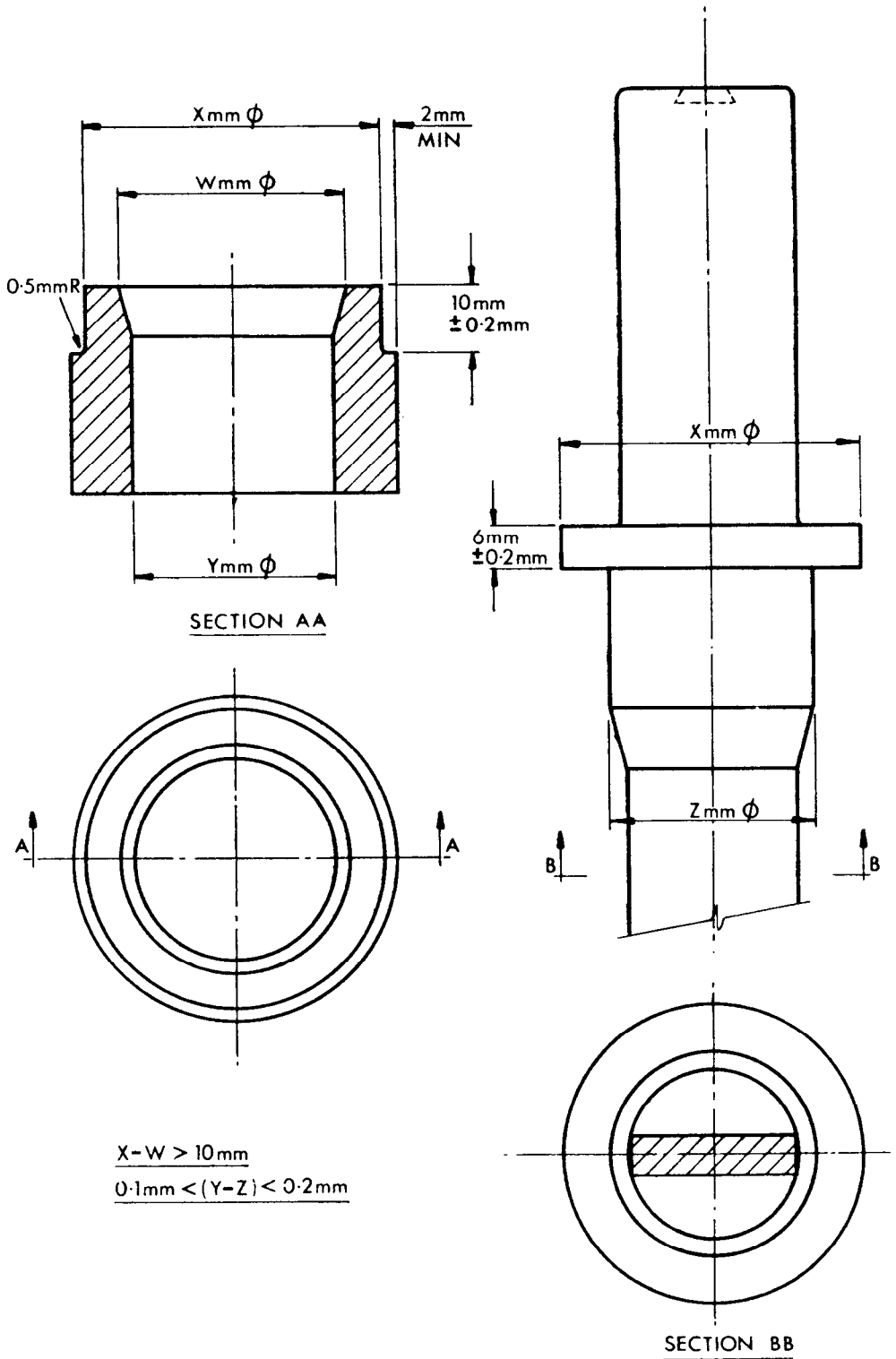
FIGURE 8/30 - 6



Anderson TGI — Sealing of Tank Legs

7/12/78

FIGURE 8/30 - 7



Anderson TGI — Dipstick Plug and Socket

7/12/78

FIGURE 8/30 - 8



Anderson TGI with Two Dipstick Sockets and Transverse Level

7/12/78